



# PT375 Flush Diaphragm High Pressure Transducer

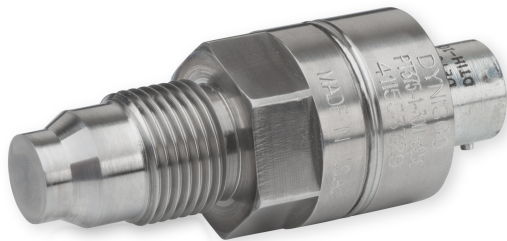
*IDEAL FOR SLURRIES AND VISCOUS*

## Description

The Dynisco PT375 pressure transmitter is designed for applications requiring zero volume pressure port, fast response time, and stringent cleanability standards. The metal-to-metal high pressure seal offers reliable pressure measurements of slurries, viscous liquids and other media that can be homogenized.

## Features

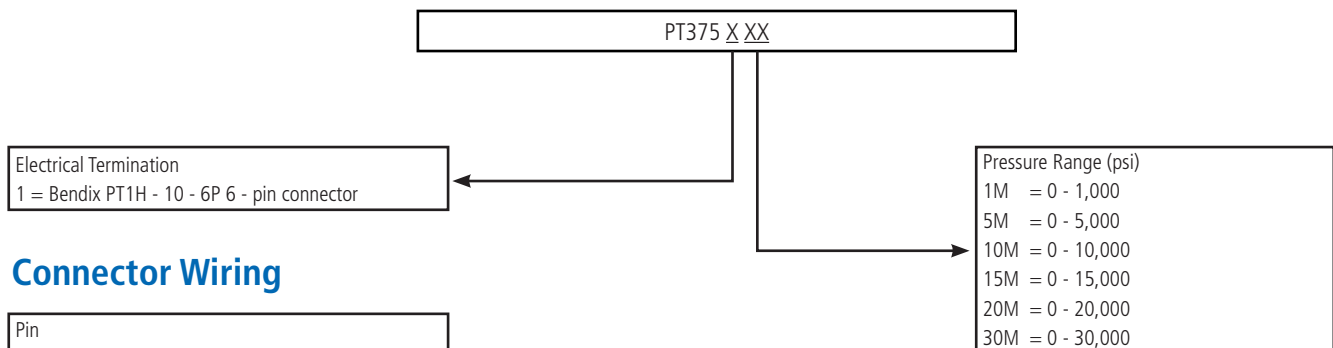
- 3 mv/v full scale output
- Accuracy  $\pm 0.50\%$
- Pressure ranges 0-1,000 PSI to 0-30,000 PSI
- Iconel 718 pressure fitting
- Zero volume pressure port
- Meets cleanability standards
- Metal-to-metal pressure seal
- Internal 80% shunt calibration



Performance Characteristics	
Pressure Range (psi):	0 - 1,000, 0 - 5,000, 0 - 10,000, 0 - 15,000, 0 - 20,000, 0 - 30,000
Accuracy:	±0.5% FSO including linearity, hysteresis, and repeatability
Electrical Characteristics	
Input Resistance:	400 Ohms ±20%
Output Resistance:	370 Ohms ±10%
Internal Shunt Calibration:	80% FSO ±1%
Excitation:	10 Vdc recommended, 15 Vdc maximum
Full Scale Output:	3 mV/V ±2%
Zero Balance:	±2% FSO
Insulation Resistance:	1,000 megohms @ 50 Vdc

Temperature Characteristics	
Operating Range:	-65°F to +250°F (-54°C to +120°C)
Compensated Range	0°F to 250°F (-18 to +120°C)
Temperature Effect On Zero:	±0.01% full scale/°F (0.018% full scale/°C)
Temperature Effect On Span:	±0.02% full scale/°F (±0.036% full scale/°C)
Mechanical Characteristics	
Safe Overpressure:	1000 - 15,000 psi: 2 x rated pressure 20,000 - 30,000 psi: 1.3 x rated pressure
Burst Pressure:	1000 - 15,000 psi: 3 x rated pressure 20,000 - 30,000 psi: 2 x rated pressure
Wetted Material:	Inconel 718
Cover Material:	303, 304 stainless steel
Weight:	5 ounces
Mounting Torque:	1000 - 10,000 psi: 50 ft./lb. 15,000 - 30,000 psi: 100 ft./lb.

### Ordering Guide for PT375 Pressure Transducer

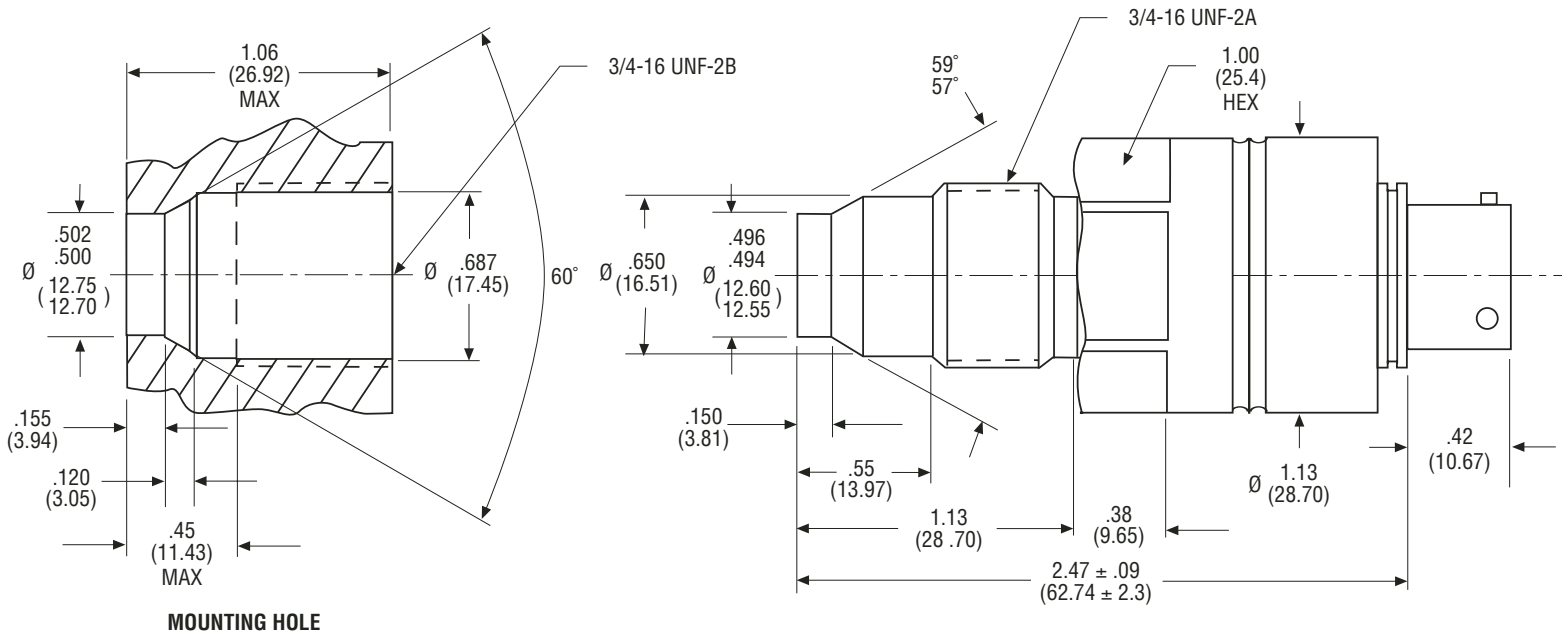


### Connector Wiring

Pin
A = Signal+
B = Signal-
C = Excitation+
D = Excitation-
E, F = Int. Shunt Cal.

Mating connector PN/711600 or 6 - pin cable assembly sold separately. For additional options please consult factory.

## Dimensions



All dimensions are inches (mm) unless otherwise specified.



All dimensions are inches (mm) unless otherwise specified.  
 ©2016. Dynisco reserves the right to make changes without notice.  
 Refer to [www.dynisco.com](http://www.dynisco.com) for access to Operator Manual and other support documentation.  
 DSPT375  
 Rev: 0717



[www.dynisco.com](http://www.dynisco.com)

### Dynisco

38 Forge Parkway  
 Franklin, MA 02038  
 USA

Hotline 1-800-Dynisco  
[www.dynisco.com](http://www.dynisco.com)  
 Phone +1 508 541 9400  
 Fax +1 508 541 6206  
 Email [infoinst@dynisco.com](mailto:infoinst@dynisco.com)

### Dynisco Europe, GmbH

Pfaffemstr. 21 Phone +49 7131 297 0  
 74078 Hellbronn Fax +49 7131 297 166  
 Germany Email [dyniscoeurope@dynisco.com](mailto:dyniscoeurope@dynisco.com)

### Dynisco Shanghai

Building 7A, No. 568 Phone +86 21 34074072-819  
 Longpan Rd Malu Toll Free +86 400 728 9117  
 Jiading, 201801 China Fax +86 21 34074025